

DS-VWS546-2X2

SMARTMOUNT. Floor Stand Video Wall Mount For 40" to 46" Displays



Creating a 2x2 video wall is simple and cost effective with the Peerless-AV® DS-VWS546-2X2 Floor Stand Video Wall Mount. The single frame design easily clamps to the stand uprights making it ideal for Rental and Staging applications. The universal adaptors accommodate displays measuring 40"-46" and place displays on the same vertical plane. Once the displays are mounted, the built in horizontal adjustment leaves a seamless appearance.

FEATURES

- 2x2 video wall stand kit
- Horizontal adjustment makes mounting and aligning displays quick and easy
- Designed for quick set up and breakdown making it ideal for rental and staging applications
- VESA® 200 x 200 up to 800 x 400mm compliant
- Video wall is height adjustable on the 72" (1829mm) poles
- Internal cable management for a clean, clutter-free appearance
- Video wall conversion kits model ACC-DS-VWS2X2 available for existing FPZ-600 stands



Display size: 40"-46"



Max load: 600lb (272kg)



RoHS
2002/95/EC

MADE IN
USA

CLICK: peerless-av.com

CALL: 800.865.2112

FAX: 800.359.6500

peerless-AV®

DS-VWS546-2X2 Floor Stand Video Wall Mount for 40" to 46" Displays

Product Specifications

| | DIMENSIONS (W x H x D) | PRODUCT WEIGHT | LOAD CAPACITY | FINISH | AVAILABLE COLORS |
|----------------------|--|-----------------------|----------------------|---------------|-------------------------|
| DS-VWS546-2X2 | 71.54" x 72.33" x 36" (1817 x 1837 x 914mm) | 261lb (118kg) | 600lb (272kg) | Powder Coat | Black |

Package Specifications

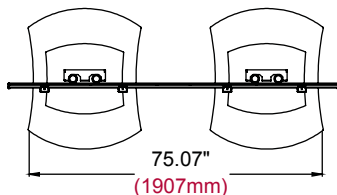
| | PACKAGE SIZE (L x W x H) | PACKAGE SHIP WEIGHT | PACKAGE UPC CODE | PACKAGE CONTENTS | UNITS IN PACKAGE |
|----------------------|---|----------------------------|-------------------------|---|-------------------------|
| DS-VWS546-2X2 | Box 1, Quantity 5: 72" x 4" x 4" (1829 x 102 x 102mm) Box 2, Quantity 1: 45.7" x 47.1" x 4.2" (1161 x 1196 x 107mm) Box 3, Quantity 2: 37.2" x 30.5" x 9.4" (945 x 775 x 239mm) | 275lb (125kg) | 735029295945 | Two bases, four pole uprights, one 2x2 mount and hardware | 1 |

Accessories

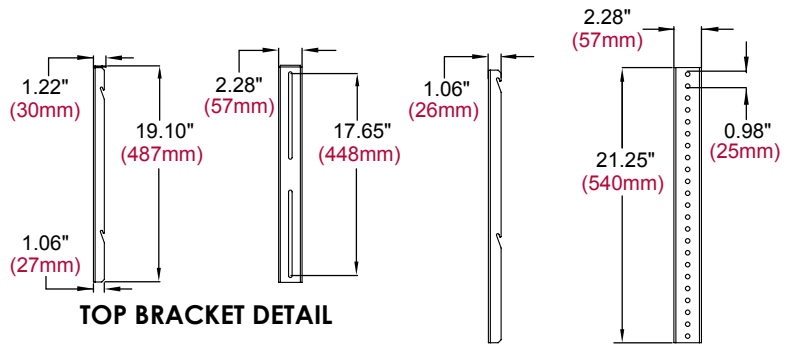
- ACC340:** Media Player Shelf
- ACC-V800X:** Adaptor accessory for 600 x 400 and 800 x 400mm mounting patterns

All dimensions = inch (mm)

COMPATIBILITY FORMULA
 Display must be at least 36" wide and 20.75" high
 Width of the display + width of the mounting hole pattern < 1733 mm
 Height of the display + height of the mounting hole pattern < 1136 mm

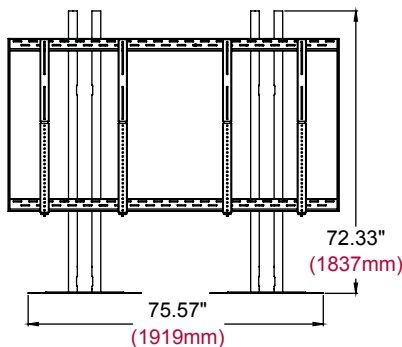


TOP VIEW

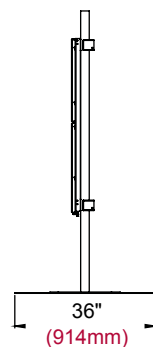


TOP BRACKET DETAIL

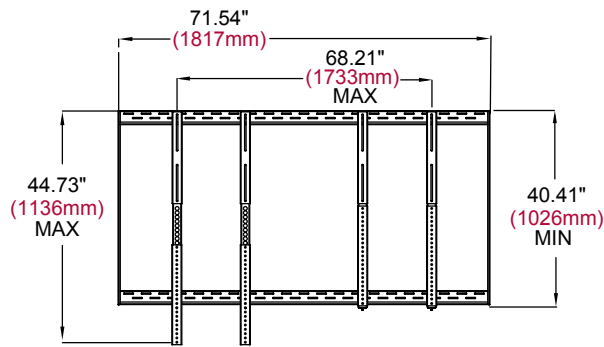
BOTTOM BRACKET DETAIL



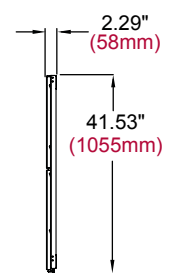
FRONT VIEW



SIDE VIEW



FRONT VIEW



SIDE VIEW

ARCHITECTS SPECIFICATIONS

The Floor Stand Video Wall Mount shall be Peerless-AV model DS-VWS546-2X2 and shall be located where indicated on the plans. Assembly and installation shall be done according to instructions provided by the manufacturer.

Peerless Industries, Inc. ■ 2300 White Oak Circle ■ Aurora, IL 60502 ■ (800) 865-2112 ■ (630) 375-5100 ■ Fax: (800) 359-6500 ■ peerless-av.com

Visit peerless-av.com to see the complete line of AV solutions from Peerless-AV, including flat panel mounts, projector mounts, carts/stands, furniture, cables, screen cleaners and a full assortment of accessories.